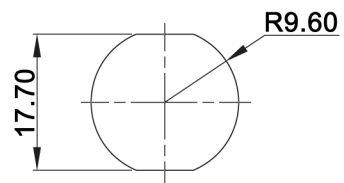
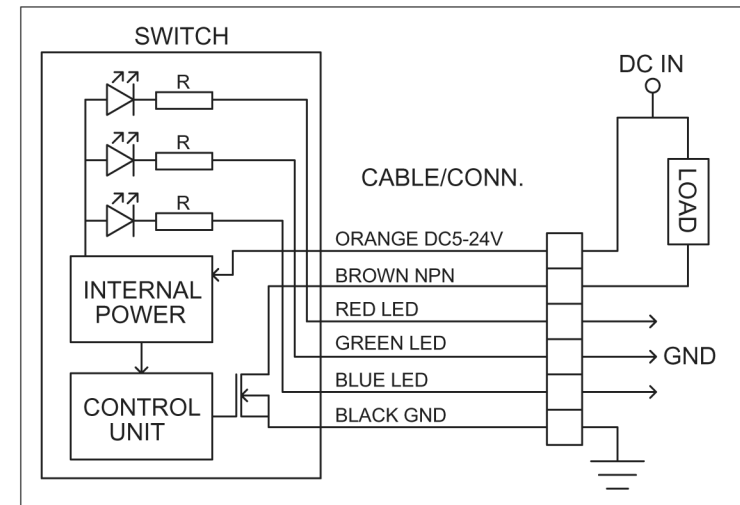


PANEL CUT-OUT



MAX. PANEL THICKNESS: 10.0 mm

APPLICATION DIAGRAM



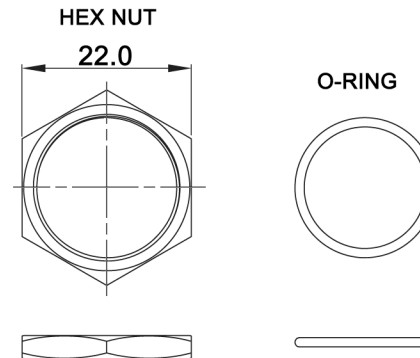
Compliance: RohS II (2011/65/EU)

Tolerances: 0.00: ±0.25 mm 0.0: ±0.40 mm		Date 08/18	Name dr	<b>CTK 19 M-A1-F1FB00-3CD101</b>
		<b>knitter-switch</b>		<b>30 41 31</b>
Modifications	Date	Name		Page 1/2

**Specifications:**

**Contact rating:** 1 A, 5-24 V DC  
**Contact resistance:** 1 Ohm max.  
**Operating temperature:** -20°C to +65°C  
**Mechanical life:** 50 000 000 cycles min.  
**Type:** momentary  
**Indicator color:** red/green/blue  
**IP class:** IP68  
**Material:** Bushing: aluminum alloy  
                   Cap: PC, aluminum alloy  
                   Sealing: silicone, epoxy  
                   O-ring: silicone  
                   Hex nut: brass, nickel plated

**HARDWARE**



Compliance: RohS II (2011/65/EU)

Tolerances: 0.00: ±0.25 mm		Date	Name	<b>CTK 19 M-A1-F1FB00-3CD101</b>
0.0: ±0.40 mm		08/18	dr	
			<b>knitter-switch</b>	<b>30 41 31</b>
Modifications	Date	Name	2/2	